

E^a G K46%ö • P xL-+-+k i ž
 \$ [LDO /HDG /DVHU PDUN 0/&&V



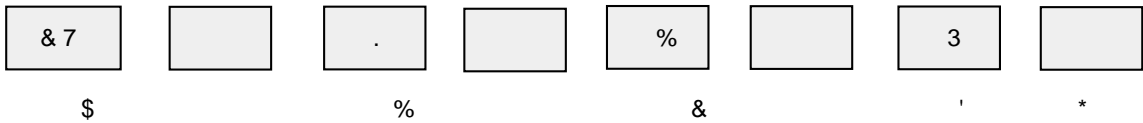
1 (.
) HDWXUH

%0% E , iH] ,F8 >8 P i>û,° - '5L μ \ ;>û oí
 0LQLDWXUH VL]H)HDUWH FHD SDFLNDEHDEJOVXLRW DXWR SODFHPHQW
)â"]G78 7>û , 6B - ? N8¥,°Lh%α]73 = p æ p Ü 6F'#]
 (SR[\ UHVLQ FRDWLQDIFQWDSVHM RHJ P B Q 7 HVVQD Q X PL P LHFVKD Q Q 6DKOH V W W U H K V W W W D
 P+U Ý = ü p . P0 7P Á Ý ÷
 6WDQGDUG VL]H YDULRXV OHDG FRQILJXUDWLRQ

1 Ê+^
 \$ SSOLF DWLRQ

68b+^FJ ÷
 *HQHUDO SXUSR VH JRRGV

1 Á ->ž/p#
 3DUW 1XPEHU



\$

Ý ÷2± a 3 URGXFW 7\SH	
- &RGH	2± a 7\SH
&&	2±E ^a G K46%ö • P xL-+-+k i ž &ODV\HOHFWULF \$ [LDO /HDG /DVHU PDUN 0/&&V
&7	2±E ^a G K46%ö • P xL-+-+k i ž &ODV\HOHFWULF /HDG /DVHU PDUN 0/&&V

%

=0& iH 1RPLQDO &DSDFLWDQFH	
f Z f ! • p ? ~ ! • , D 6 f ! • > ž / p M , ° ' !) LUVW WZR G L Q L W L F D Q W D Q G W K H W K L H U G R G L J L W L V Q X P E H U Á , Æ) R U H [D P S O H S) , 5 S)	

&

iH ç \$ 7ROHUDQFH							
&	'	-	.	0	1	6	=
" S)	" S)	"	"	"	"	a	a
& ' IR Ê & 3) 13 & ' - . 0 ; 5 . 0 1 6 =							

b%Kµ Ü´ (f Æ9' . µ			
1RPLQDO %RG\ /8H0LQWFKµHV			

(

\$_Ü(]			
7HPSHUDWXUH &KDUDFWHULVWLFV			
&* 1	&* 13	f SSP	' a µ
%	; 5	f	' a µ
<)	< 9	a	a

)Æ

NÓÐ+k Á	
5DWHG 9ROWDJH	
f Z f i • p ? ~ i • , D 6 f i • > ž / p M , ° ' !	
) L U V W W Z R G L J L W L F D D W M D Q G W K H W I K L H U G R G L J L W L V Q X P E H U	
Á , Æ	
) R U H [D P S O H	
9	9

*Æ

;>úĪE		
3DFNDJLQJ 6W\OH		
5L\	3	- \ ; > ú \$ P P R
7DSH	7	- \ ; > ú 5 H H O

+

K7P~E´ (f Æ P P µ		
/HDG &RQILJXUDWLRQ		
	5L\»D 7DSH ZLGWK	PP
	5L\»D 7DSH ZLGWK	PP

1 p. = ' + k Á = i H © 31 > ž

6 L] H F R G H F D S D F L W D Q F H D Q G Y R O W D J H

p.žúr 6 L] H & R	F'j(...) Ö P P Ä			' + k Á 9 R O W D	= 0 & i H 99 *		
	' L P H Q V L R Q	8 Q L W	PP		\$ Y D L O D E O H & D S D F L W D Q F H	5 D Q J H	
	/	'	ĩ G " Ä		& * Ä 13 Ä	; 5	< 9
	0 / 0	0 i ' 0		9	a		
	0 / 0	0 i ' 0		9	a		
	0 / 0	0 i ' 0		9	a		
	0 / 0	0 i ' 0		9	a		
	0 / 0	0 i ' 0		9	a		

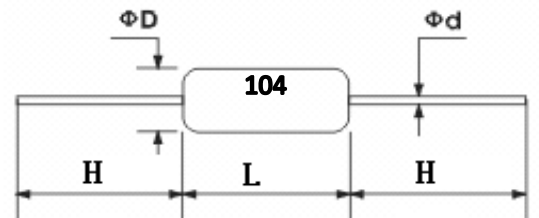
1 L ~ p.

([W H U Q D O ' L P H Q V L R Q V

< ÷

% X O N 3 U R G X F W V

j(.1 6 L] H & R	/ PP	ĩ ' PP	ĩ G PP	+ PP
	"/	” ”	“	PLQ
	"/	” ”	“	PLQ
	"/	” ”	“	PLQ
	"/	” ”	“	PLQ

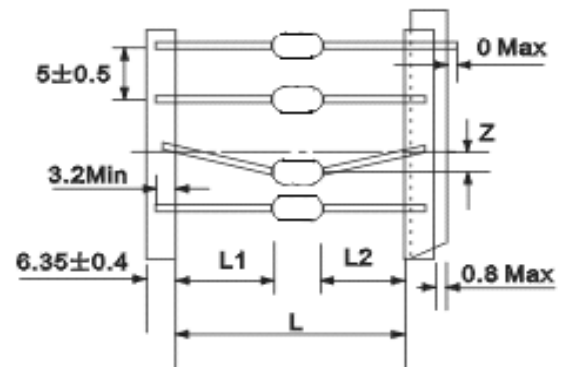


5 L \ p.

7 D S L Q J G L P H Q V L R Q V

< f 8 Q Ö W P

5 L \ i E 7 D S H 6 W \ O H	/	=	š / / š
5 L \ » D Æ 7 D S H : L G W K	“	PD[PD[
5 L \ » D Æ 7 D S H : L G W K	a	PD[



1 %M-]#•B ï#

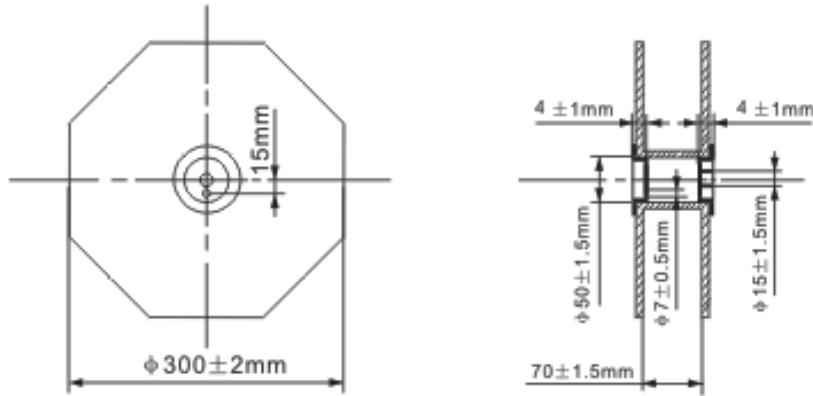
5HOLDELOLW\ 7HVW 0HWKRG

N-\$,WHP	¶e?."x 7HFKQLFDO 6SHFLILFDWL		#•B ï# Á=# LRQ 7HVW 0HWKRG DQG 5HPDUNV		
ïH &DSDFLWDQFH	,2± &ODVV	É1\>=Đ,°B% \$4Ý a ZLWKLQ WKH VSHFLILHG ,WROHUDQFH	=0& ïH &DSDFLWDQFH	#•B NÇ)½ F0HHDVXULQJ)UHTXHQF\	#•B +k Á 0HHDVXULQJ 9ROWDJH
			&" S)	0 += "	" 9
&	,2± &ODVV	É1\>=Đ,°B% \$4Ý a ZLWKLQ WKH VSHFLILHG ,WROHUDQFH	=0& ïH &DSDFLWDQFH	#•B NÇ)½ F0HHDVXULQJ)UHTXHQF\	#•B +k Á 0HHDVXULQJ 9ROWDJH
			&" X)	. += "	" 9
•6M@ !™ = 'LVVLSDWLRQ)DFWRU)	,2± &ODVV	&• S) ')" ,&Ø S) ')" > & @ ;	=0& ïH &DSDFLWDQFH	#•B NÇ)½ F0HHDVXULQJ)UHTXHQF\	#•B +k Á 0HHDVXULQJ 9ROWDJH
			" S)	0 += "	" 9
	,2± &ODVV	% ') "	=0& ïH &DSDFLWDQFH	#•B NÇ)½ F0HHDVXULQJ)UHTXHQF\	#•B +k Á 0HHDVXULQJ 9ROWDJH
			&" X)	. += "	" 9
5 5N+kLq ,QVXODWLRLQ 5HVLVWDQFH	,2± &ODVV	&" Q) ,5• 0 ,&! Q) 5 &•)	#•B +k Á NÓĐ+k Á 0HHDVXULQJ 9ROWDJH 5DWHG 9ROWDJH #•B ,L* f 0 'XUDWLRLQ " V		
			,2± &ODVV	&" Q) ,5• 0 ,&! Q) 5 &•)	#•B \$µ ÜÆ" 7HVW +XPLGLW\ " #•B \$_ ÜÆ f 7HVW 7HPSUDWXUH #•B {t+k+k#wÆ " P\$ 7HVW &XUUHQW " P\$

N-\$,WHP	¶e?."x 7HFKQLFDO 6SHFLILFDW	#•B ĩ# Â=# 7HVW 0HWKRG DQG 5HPDUNV WLRQ
6F+kÁ :LWKVWDQ 9ROWDJH	C Ê ? C^>á 1 0µL•Z GL QJ 1R EUHDNGR GDPDJH	#•B+kÁ 0HDVXULQJ ÖROWDJH 2± NÓĐ+kÁ &ODVV 5DWHG YROWDJH 2± NÓĐ+kÁ &ODVV 5DWHG YROWDJH 75#,L* f 0 'XUDWLRQ " V { t+k#w C ÊC>Eý P\$ 7KH FKDUJH GLVFKDUJH FXUUHQW LV OHVV WKDQ P\$ 1% †DL>ûL*%HWZHHQ WHUPLQDOV DQG ERG\ 6Ö+kÁÆ 8 5 ZQ RU 75#,L*Æ a V 9 R O W D J H W L P H V U D W H G Y R O W D J H 'XUDWLRQ H "IE*9# 6PDOO PHWDOOLF EDOO PHWKRQ <+kĩžb%o >-%-*°p PP,°H "E*9,°ĩžc, +°D 1%j: PP,°b%o C >°BPÂ+kÁ 6Ö^.#D% D%1%†ÂH "E*9•L*> 6PDOO PHWDOOLF EDPOHWHZLVWKKDPOGEI BQV WCKHWHVWHFDS VKDOO EH VXEPHUJHG H[FHSW PP IURP\DKGWRSHRHLVPLGBE 7KH WHVW YROWDJH VKDOO EH DSSOLHRSLEBQVZHDG WKKHVKHR EDOOV
%@] 6ROGHU D	@KW)½ Ê] Ä /HDG ZLUH ELOLW\ FRYHUHG QHZ VROGH FRDWLQJ	<+kĩžK46#@>a? 'Oĩ,°G^26\$ĩ#èc 0 ,ID#@,\$_Üp " ,°H " @KW@ \$J Å&X 0 # EÆ+kĩžb%oËM^D/ñKWM^4Ü a PÄ WKH OHDG ZLUH RI FDSDFLWURU LV GLSSHOKDQVDRU VRVLQ ZLWKHDLQWR PROWHQ VROGHU' 6QRUSJ &X V ,Q ERWK FDVH GHSWK RI GLSSLQJ LV XS WR DERXW a PP IURP WKH WHUPL FRDWLQJ
6F'@ Ú# 5HVLVWDQF,H5 WR 6ROGHULQJL?ø %?÷•Z +HDW	û& & & * 0 f L f S) 1R VLJQLILFDQW f E,> DEQRUPDO LV UHFRQQÄWODQV,QJKRXU RI SUHFRQGLWLRQLROORZHGEI DSSHDUDQFH KRXUV RI UHFRYHU\ XQGHU WKH VWDQGDUG FRQGLWLRQ °CÆ/Ä , 2± C^BPÂD, Ê^=ü—, A~C f E,Df#B > 5HFRYHU\ &ODÄV , , " KRXUV RI UHFRYHU\ XQGHU WKH VWDQGDUG	KW\$_Æ " ,L*Æ f V 6ROGHU WHPHUDWUXUH " f V 'XUDWLRQ #@>—,Æ<+kĩž >ĐÜp PP,Š°p PP,°3&µ> ,PPHUVHG FRQGLWLRQWKH,Ö&HURDHG LZQV PPGLDPHWHU /Ä ,2± C^BPÂD, Ê^=ü—, A~C f E,Df#B > 5HFRYHU\)RU FODVV , " KRXUV RIGUFRQGHUWLRQGHWHVKM /Ä , ,2± C^BPÂDf Ê~F> , AN°:*<Æ , E , ,Ü-v^=ü 1R VLJQLILFDQW f E,> DEQRUPDO LV UHFRQQÄWODQV,QJKRXU RI SUHFRQGLWLRQLROORZHGEI DSSHDUDQFH KRXUV RI UHFRYHU\ XQGHU WKH VWDQGDUG FRQGLWLRQ °CÆ/Ä , 2± C^BPÂD, Ê^=ü—, A~C f E,Df#B > 5HFRYHU\ &ODÄV , , " KRXUV RI UHFRYHU\ XQGHU WKH VWDQGDUG

N-\$,WHP	¶e?."x 7HFKQLFDO 6SHFLILFDWLRQ	#*B i# Å=# 7HVW 0HWKRG DQG 5HPDUNV
Q\$_CU9- +LJK 7HPSHUDWXUH /RDGLQJ 7HVW	• & & & * 0f L f S) ; 5 0f <) 0 f ') & 2* & U S) 0 Ø & S) 0 Ä & Å ; 5 0 <) 0 & 50 X) 0 X)Ú & 5Ú X) 0 & 51 X)	+k ÁÆ CNÓ Ð+k Á ,L*Æ E, \$ _ÜÆ& * ; 5 < 9 {+k+k#w ÆC ÊC»Eý P\$ t5# — ,Æ Ú\$_ t5# ,L*Æ E, ' & j , L E, ' ; 5 < ¶ È \$SSOLHG 9ROWDJH 5DWHG 9ROWDJH 'XUDWLRQ K 7HPSHUDWXUH
	,5 55N+kLq,QVXODWLRQ 5HVLVWDQFH 1 0i RU	&KDUJH 'LVFKDUJH &XUUHQW P\$ PD[&RQGLWLRQV 5RRP 7HPSHUDWXUH 5H K & * RU K ; 5 < 9

1 ;>û
3DFNDJLQJ
- \ ;>û
7DSH DQG 5HHO 3DFNDJLQJ



- \ ;>û
\$ PPR 3DFNDJLQJ



p. ?úr	5L \ iE	\$	%	&	
6L]H &R	7DSH 6	" PP	" PP	" PP	
	3				Cj=1' /DEOH
	3				
	3				
	3				

;>û iH
3DFNDJLQJ 4XDQWLW\

+9* :XÃ7; 6L]H &R	EÑ-%" W\$ PPR	"v-%" WÃ7DSH DQG 5HHO
	SFV	SFV
	SFV	SFV
	SFV	SFV
	SFV	SFV